

PORTAL SCRAPER BY AMECO

expanding





PORTAL
SCRAPER
AMECO S.A

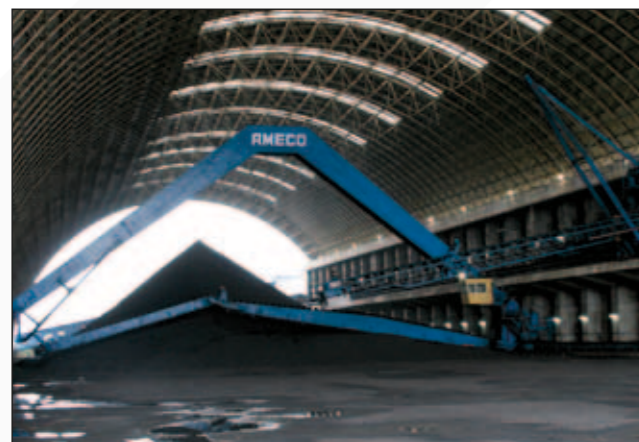
PORTAL
SCRAPER
AMECO S.A



PORTAL SCRAPER BY AMECO

The portal scraper is normally used in a production line as bulk material buffer store.

The store operates with stockpiles placed in line. While building up one pile, another pile is being reclaimed. Being the historically main product of AMECO since 1932, we have a strong knowledge in this system and our machines are handling a broad range of bulk materials, eg. woodchips, urea, ammonium nitrates, coal, gypsum, iron ores...



The input material comes on a rubber-belt conveyor and is discharged through the stacker traveling on rails alongside the store at a constant speed. Its height above the top of the pile is kept at a minimum distance to reduce dust emission.

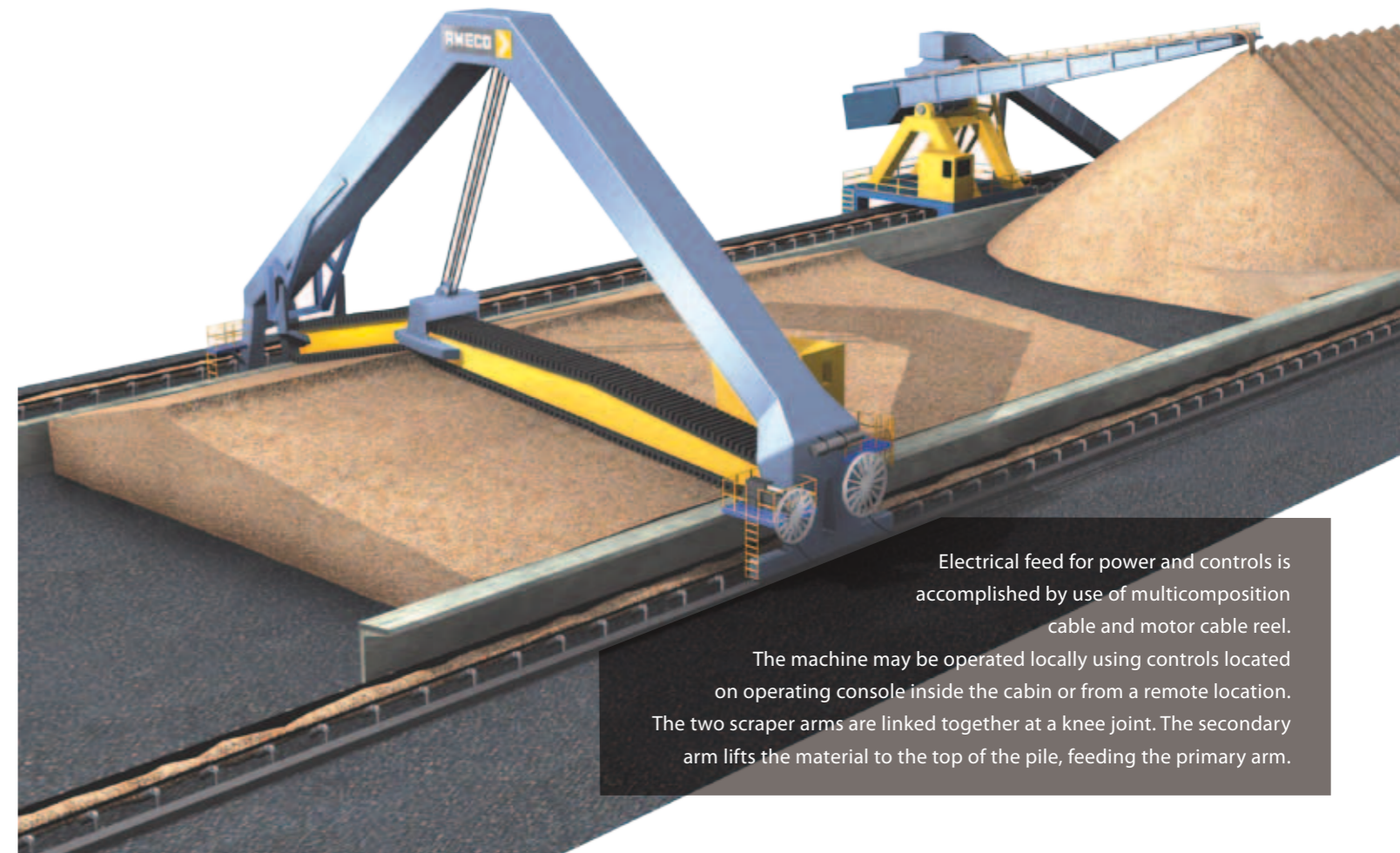
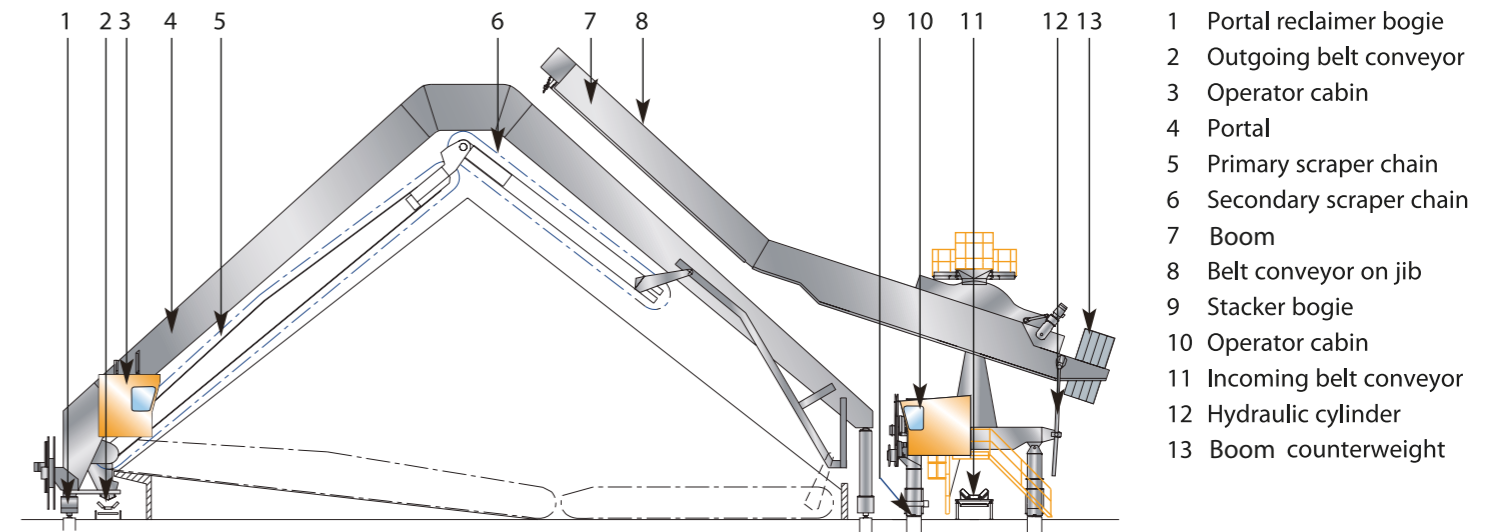
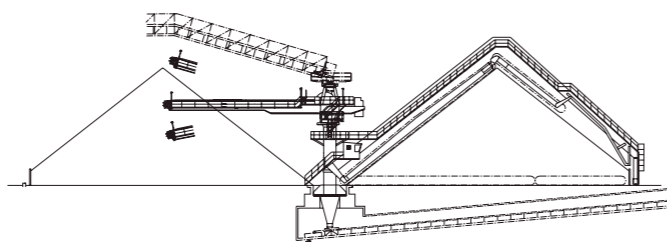
Alternatively, stacking can take place by using a tripper car supported by a frame structure above the pile.

The stacker and the portal scraper travel on separate rails along the store.

The portal scraper reclaimer is moving alongside the pile to be reclaimed onto two tracks supported on concrete foundations and located at each side of the pile.

The reclaiming is accomplished by one or several luffing scraper arm(s) long enough to reach across the pile.

The arms are made of a boom equipped with chains and blades for dragging the material to a belt conveyor.



Electrical feed for power and controls is accomplished by use of multicomposition cable and motor cable reel.

The machine may be operated locally using controls located on operating console inside the cabin or from a remote location.

The two scraper arms are linked together at a knee joint. The secondary arm lifts the material to the top of the pile, feeding the primary arm.



HEADQUARTERS

43, rue du 21 Novembre
68720 ILLFURTH - France
Tél. : +33(0)3 89 25 59 69
Fax : +33(0)3 89 25 59 68

NORTH AMERICAN OFFICE

James White
VP Business Development
AMECO North America
1191 Chess Dr. Suite F
Foster City, CA 94404
Cell : (617) 818-3332
Phone : (626) 628-1970

INDIA REPRESENTATIVE OFFICE

R.K Mittal
506, Lakshmi Bhawan
72, Nehru Place
NEW DELHI - 110019
Phone : +91-11-26484783

BRAZIL REPRESENTATIVE OFFICE

Alexandra Gaspar
Rua Hungria, 574-Conj 112
Jardim Europa
São Paulo - SP 01455-000
Cel : +55 11 9720-3720
Phone : +55 11 2361 55 70